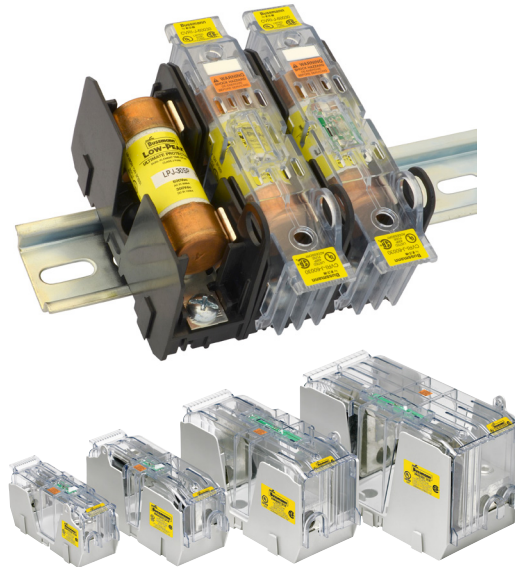


# Class J modular ferrule and knifeblade fuse blocks



Knifeblade fuse blocks from 100 to 600 amps feature phase barriers between poles for additional safety with up to four mounting holes per pole increase installation flexibility. All knifeblade blocks meet UL creep and clearance requirements for Industrial Power Circuits (UL 508 and UL 845).

Additionally, the 200 to 600 amp blocks meet the higher UL creep and clearance requirements for Power Distribution Standards (UL 98, UL 67, UL 489, UL 891 and UL 869A)

All blocks have optional IP20 finger-safe high clarity, see-through covers for inspecting wire terminations or thermography measurements without removal. All covers enhance safety by featuring probe holes for easier, safer testing and a lockout/tagout capability. These covers also have optional open fuse indication to speed troubleshooting.

Easy circuit identification is available for 30 and 60 amp blocks and covers with universal marker labels.

## Catalog symbol:

- JM60\_

## Description:

Bussmann® series Class J modular fuse blocks increase versatility, reduce labor and enhance safety for any panel or electrical system design. Available for the full Class J fuse amp range.

These fuse blocks feature a standard fuse clip reinforcing spring for enhanced electrical contact between the block and fuse. All blocks are available as single-pole versions that snap together for the required number of poles, or as factory configured 2-, and 3-pole versions to meet stocking requirements.

The modular design permits reducing inventory, assembly time and labor with tool-less assembly of multiple poles at point of use.

Ferrule fuse blocks up to 60 amps save panel space with the smallest width dimension on the market and feature DIN-Rail and panel mount versatility so that one product can be used for multiple applications with lower inventory cost.

## Specifications:

### Ratings

- Volts 600 V
- Amps up to 600 A
- Withstand 200 kA RMS Sym

### Agency information

- Blocks:
  - UL® Listed E14853 — IZLT and IZLT7
  - CSA® Certified 47235-6225-01
  - CE
  - RoHS Compliant
  - REACH declaration available upon request
- Covers:
  - UL Listed E58836 - JDVS
  - CSA Certified 47235-6225-01 (30 and 60A)
  - RoHS Compliant
  - REACH declaration available upon request

**Poles**

- 1-, 2-, 3-pole units factory assembled
- Single-pole units snap together to create desired number of poles

**Flammability ratings**

- Blocks: UL 94V0, self-extinguishing
- Covers: UL 94HB, self-extinguishing

**Operating and storage temperature range**

- Blocks -40°C to +120°C
- Covers;
  - Non-Indicating -40°C to +120°C
  - Indicating -20°C to +90°C\*

\* Indication requires minimum 90V and closed circuit to illuminate.

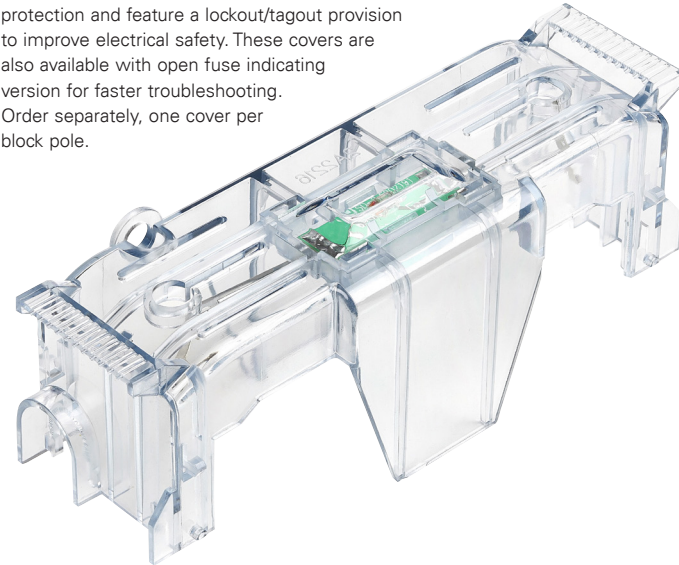
**Materials**

- Base: Thermoplastic
- Terminals:
  - Tin-plated copper brass (30 and 60A)
  - Tin-plated aluminum (box lug)
- Covers: Thermoplastic

**Conductors**

- See catalog numbers for details and torque specifications.

Optional see-through covers provide IP20 finger-safe protection and feature a lockout/tagout provision to improve electrical safety. These covers are also available with open fuse indicating version for faster troubleshooting. Order separately, one cover per block pole.



Standard dual lugs on 600A blocks and optional dual lugs on 400A blocks for easier wiring using two, smaller conductors.

**Modular Class J ferrule and knifeblade fuse blocks**



30 and 60 amp ferrule fuse blocks have DIN-rail and panel mounting capability, the modular designs allows blocks to and snap together for the desired number of poles. They accept optional snap-on covers for IP20 finger-safe protection and feature a lockout/tagout to improve electrical safety.



100 to 600 amp knifeblade fuse blocks are panel mount with multiple holes for installation flexibility and the modular design allows blocks to snap together for the desired number of poles. They accept optional snap-on covers for IP20 finger-safe protection and feature a lockout/tagout provision to improve electrical safety.



On blocks rated from 100 to 600A, the optional covers can be completely removed for servicing or simply hinged open.

**Table 1: 30 and 60 amp block catalog numbers**

Fuse amp range	Poles	Terminal type				Optional covers*	
		Box lug/slot screw	Box lug/hex screw	#10-32 Phil-slot screw	Pressure plate	Indicating**	Non-indicating
up to 30	1	JM60030-1CR	JM60030-1CHR	JM60030-1SR	JM60030-1PR		
	2	JM60030-2CR	JM60030-2CHR	JM60030-2SR	JM60030-2PR	CVRI-J-60030	CVR-J-60030
	3	JM60030-3CR	JM60030-3CHR	JM60030-3SR	JM60030-3PR		
35 to 60	1	JM60060-1CR	JM60060-1CHR				
	2	JM60060-2CR	JM60060-2CHR	—	—	CVRI-J-60060	CVR-J-60060
	3	JM60060-3CR	JM60060-3CHR				

\* Covers sold separately, one cover per pole.  
 \*\* Open fuse indication requires 90 volts minimum and closed circuit to operate.

**Table 2: 30 and 60 amp block terminals and conductors**

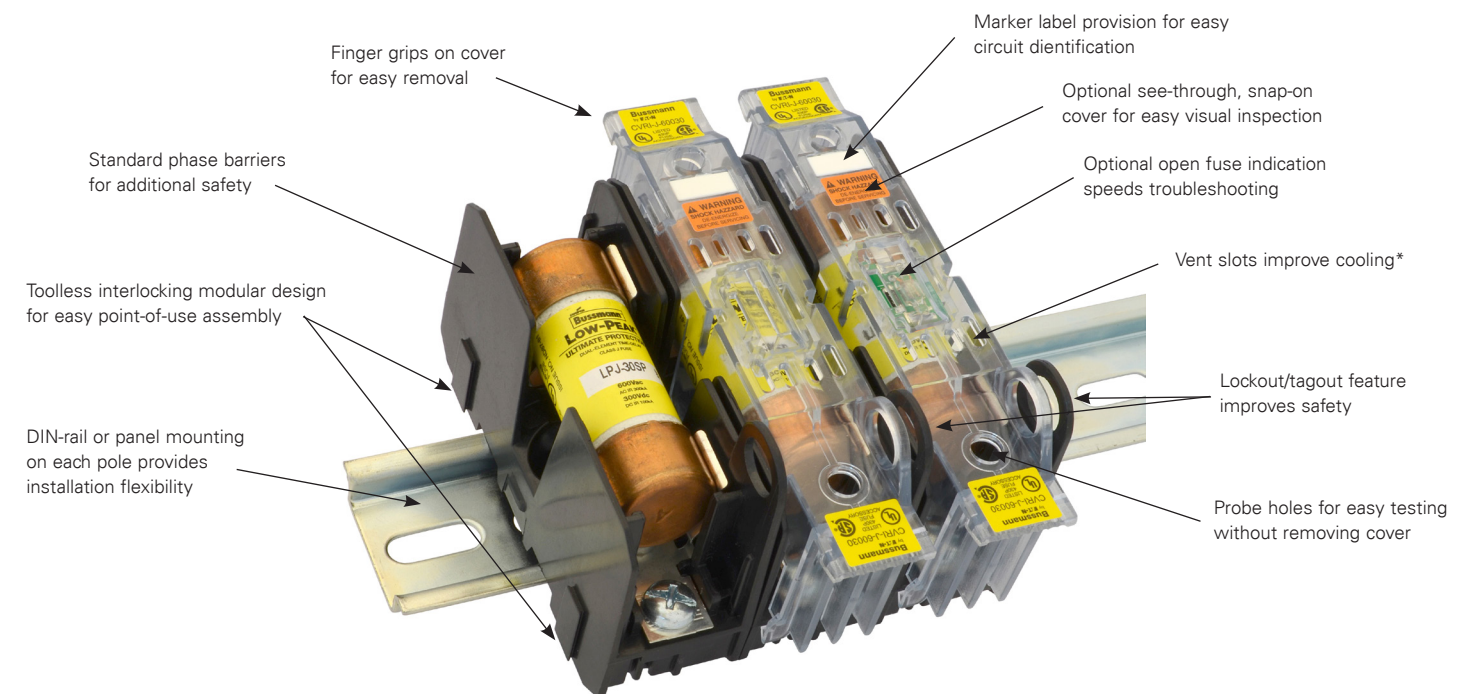
Terminal type	AWG type/range	AWG	Torque N·m (lb-in)
Box lug	75°C Cu 2-14, AL 2-8	2-3	5.6 (50)
		4-6	5.1 (45)
		8	4.5 (40)
#10-32 Phil-slot screw	75/90°C Cu 10-18	10-14	4.0 (35)
		10-18	2.3 (20)
Pressure plate			

**Recommended Bussmann series fuses:**

Description	Amps	Data sheet no.
Ultimate protection Low-Peak LPJ time-delay fuses	up to 60	1006
Advanced protection Limitron JKS fast-acting fuses	up to 60	1026
High speed DFJ drive fuse	up to 60	1048

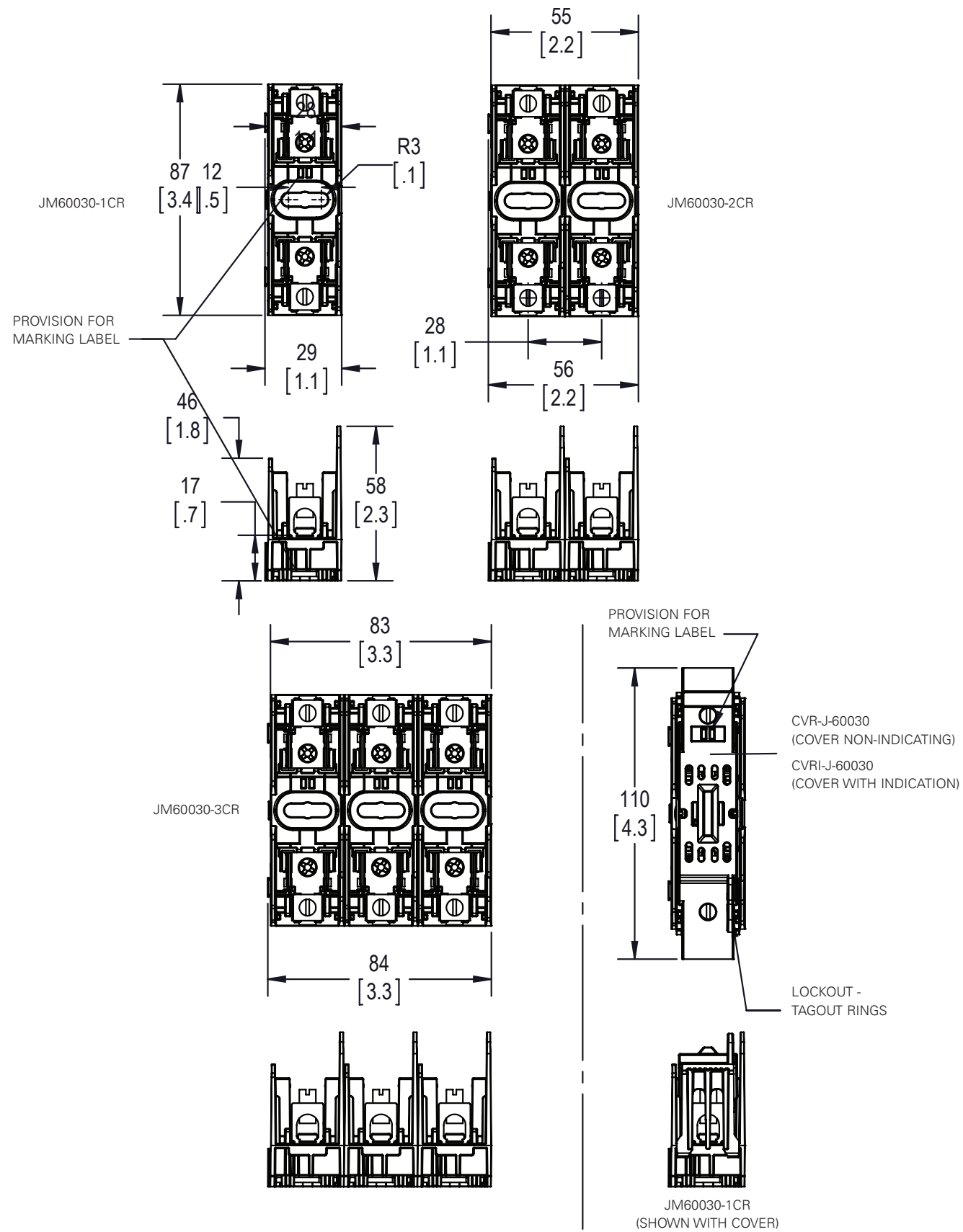
**Recommended accessories for 30 and 60 amp blocks:**

Description	Catalog no.
DIN-Rail end stops	BRKT-ND BRKT-NDSCREW2
Marker labels	TM26CB

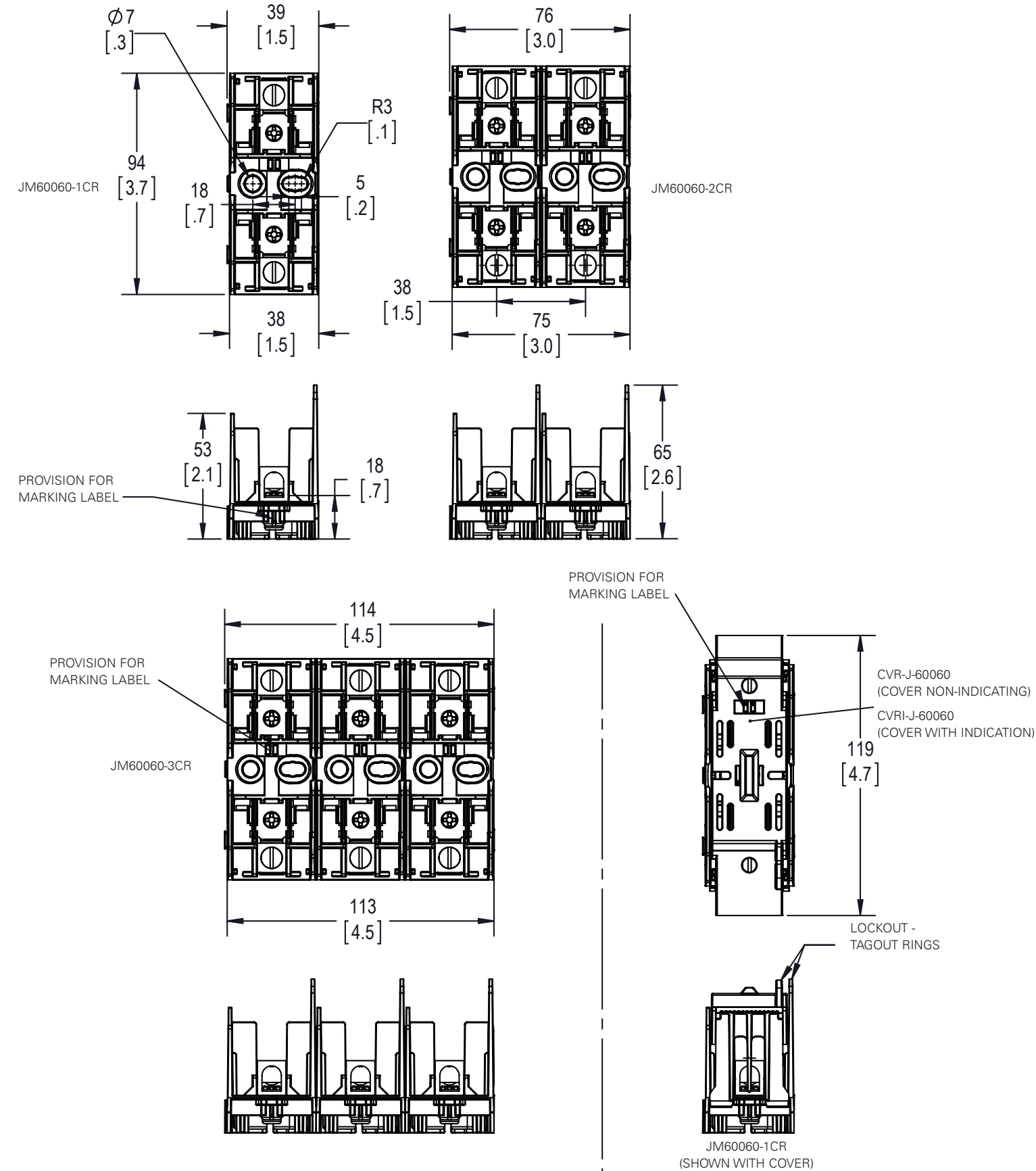


\*No fuse derating necessary.

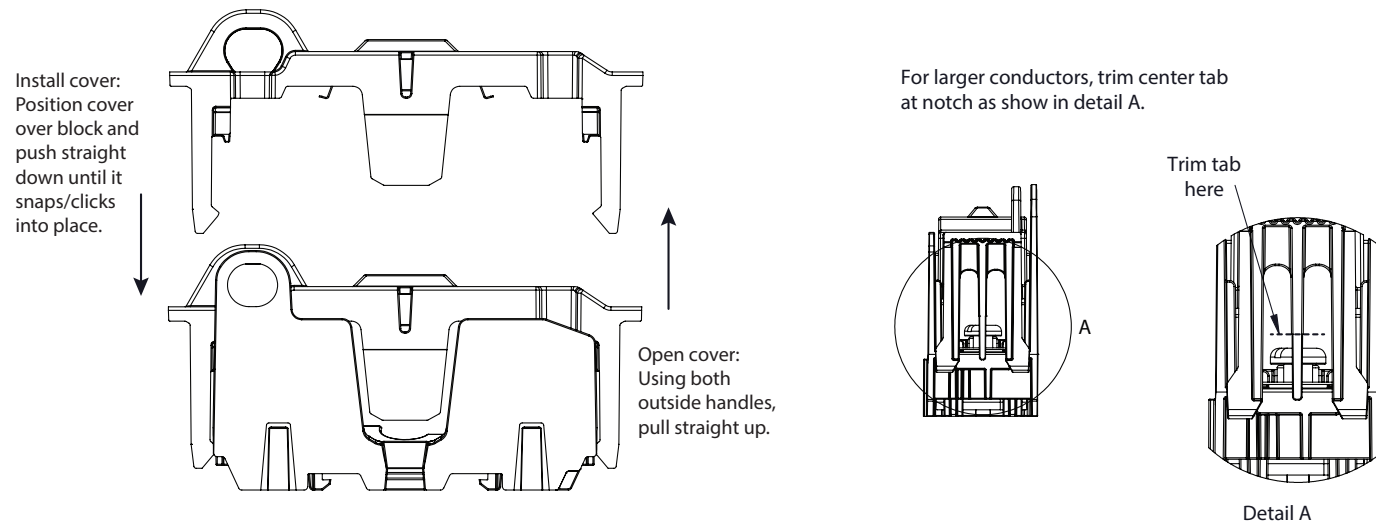
Dimensions; 30A Class J block - in (mm)



Dimensions; 60A Class J block - in (mm)



Installing /removing covers



Installing blocks on DIN-Rail

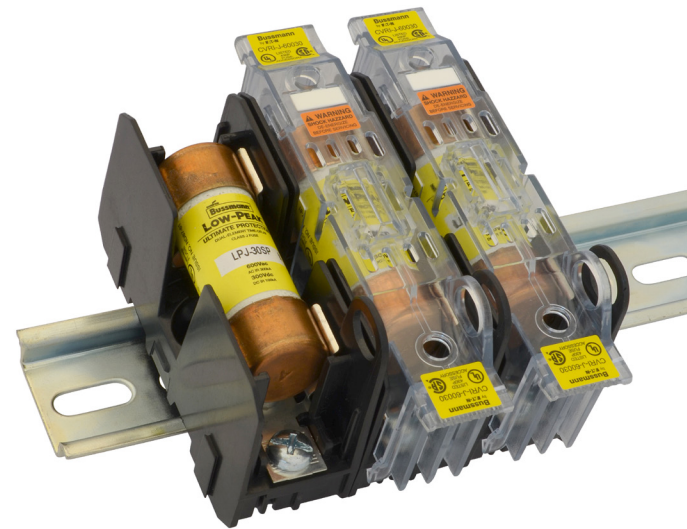
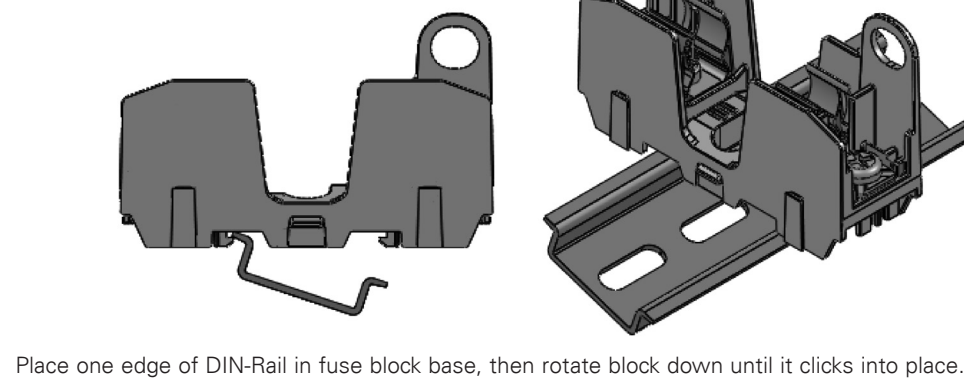


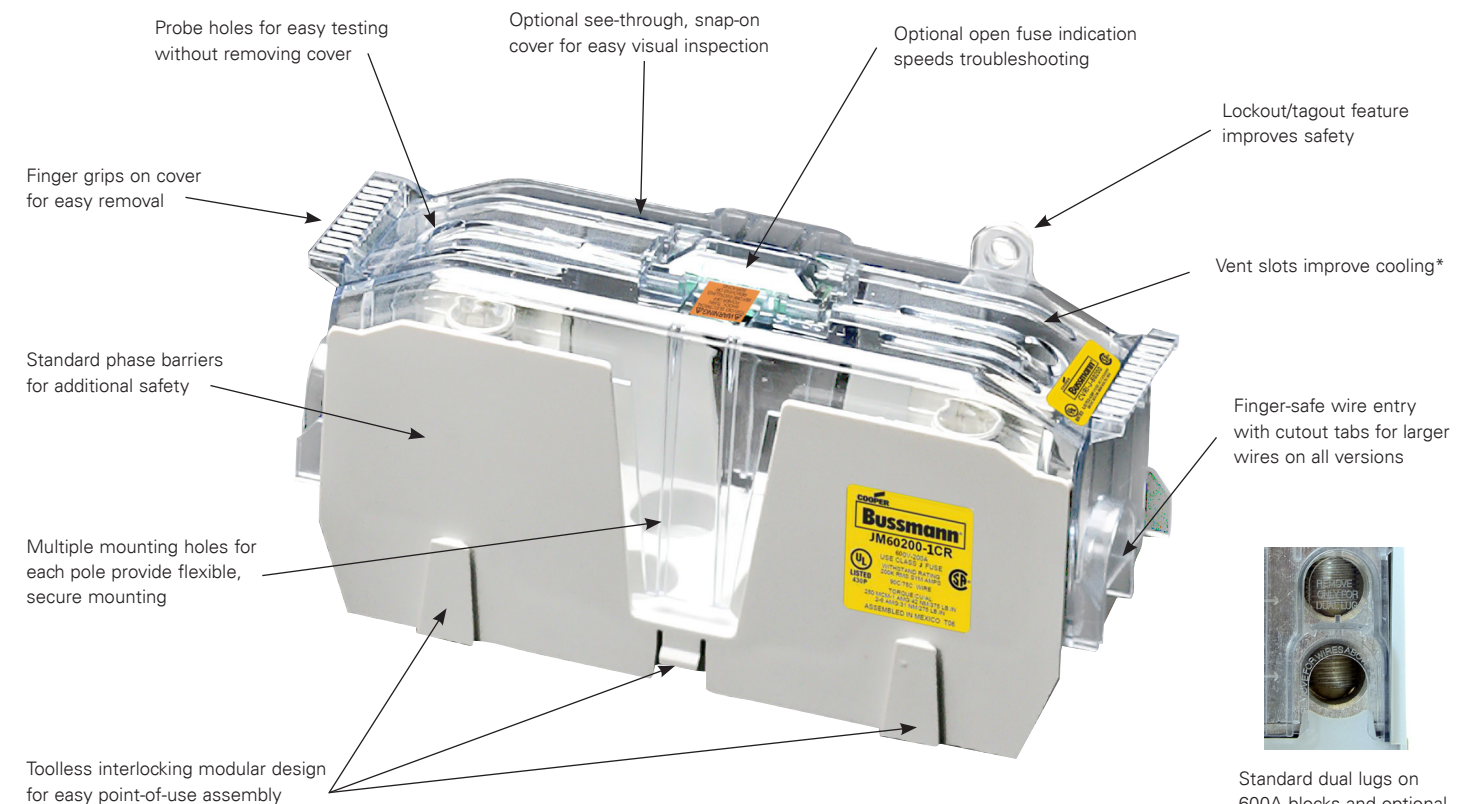
Table 6: Class J 100 to 600 amp knifeblade blocks and covers

Fuse amp range	Poles	Catalog nos.	Covers*		Conductors***		
			Non-indicating	Indicating**	Solid and stranded	Fine stranded	Torque N-m (lb-in)
70-100	1	JM60100-1CR			—	Cu 1-3 AWG	6.2 (55)
	2	JM60100-2CR	CVR-J-60100	CVRI-J-60100	1/0-3 AWG; (2) Cu 4-6 AWG	Cu 4-6 AWG	5.6 (50)
	3	JM60100-3CR			2 4-6 AWG; (2) Cu 8 AWG	Cu 8 AWG	5.1 (45)
110-200	1	JM60200-1CR			8 AWG; (2) Cu 10-14 AWG	—	4.0 (35)
	2	JM60200-2CR	CVR-J-60200	CVRI-J-60200	Cu 10-14 AWG; Al 10-12 AWG	—	4.0 (35)
	3	JM60200-3CR			250kcmil-1 AWG	Cu 3/0-1 AWG	42 (375)
225-400	1	JM60400-1CR			600kcmil	—	57 (500)
	2	JM60400-2CR	CVR-J-60400	CVRI-J-60400	500kcmil-4 AWG	N/A	51 (450)
	3	JM60400-3CR			(2) Cu 3/0 - 4 AWG	—	57 (500)
450-600	1	JM60600-1CR			(2) Al 3/0 - 4 AWG	—	34 (300)
	2	JM60600-2CR	CVR-J-60600	CVRI-J-60600	250kcmil-1 AWG	Cu 3/0-1 AWG	42.37 (375)
	3	JM60600-3CR			2-6 AWG; (2) Cu 2-6 AWG	Cu 2-6 AWG	31.07 (275)

\* Covers sold separately.  
\*\* Open fuse indication requires 90 volts minimum and closed circuit to operate.  
\*\*\* Ratings for copper and aluminum conductors except where otherwise noted.

Recommended Bussmann series fuses

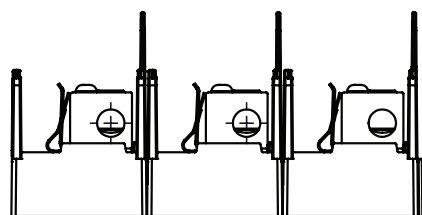
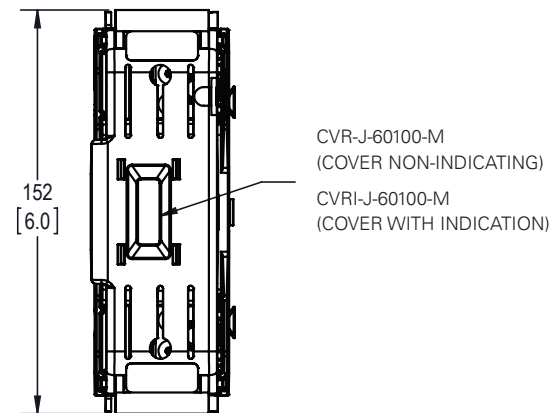
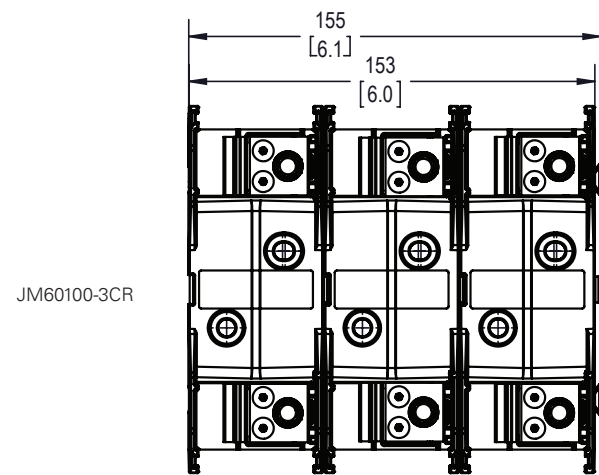
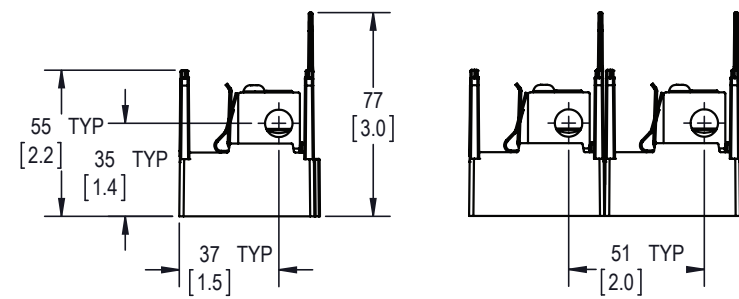
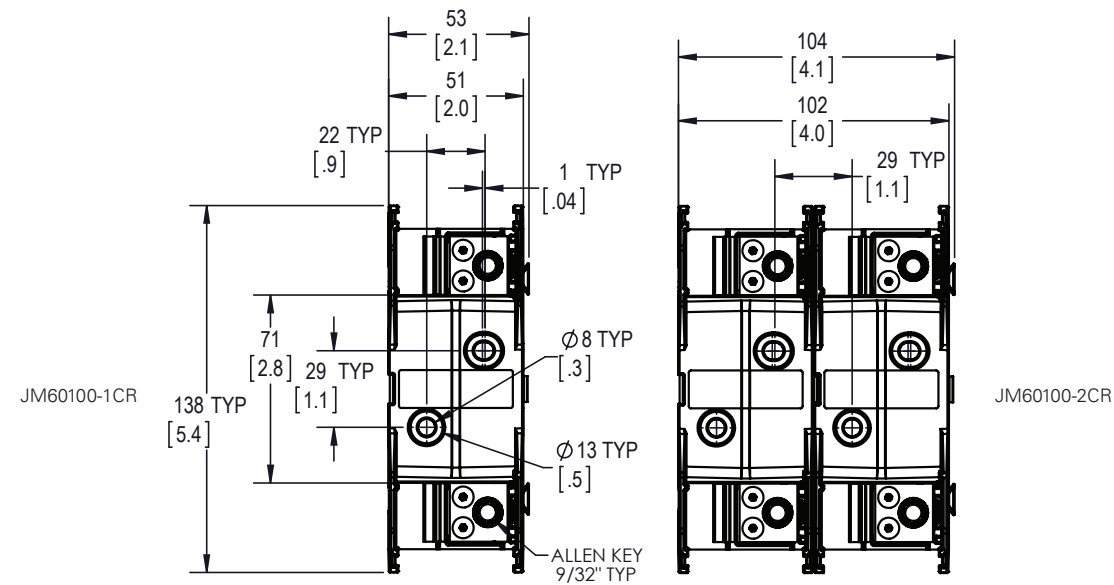
Description	Amps	Data sheet no.
Ultimate protection Low-Peak LPJ time-delay fuses	70 to 600	1007
Advanced protection Limitron JKS fast-acting fuses	70 to 600	1026
High speed DFJ drive fuse	70 to 600	1048



Standard dual lugs on 600A blocks and optional dual lugs on 400A blocks for easier wiring using two, smaller conductors.

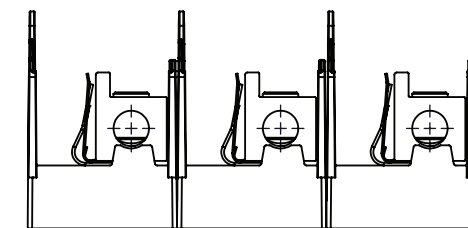
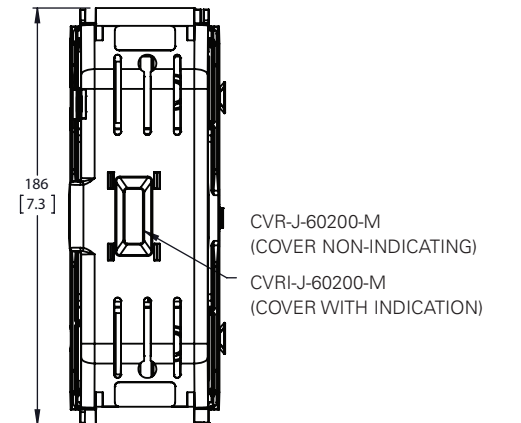
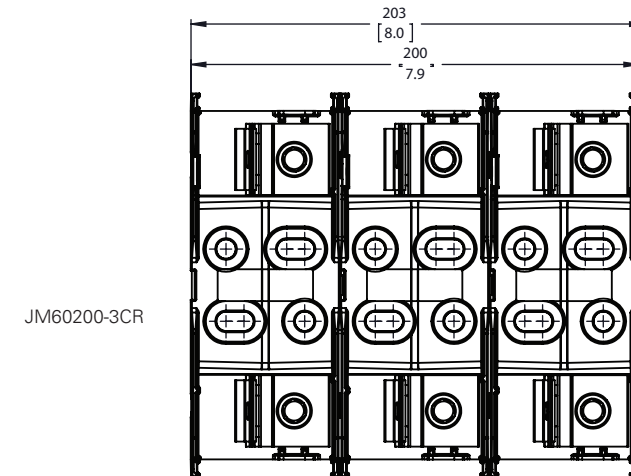
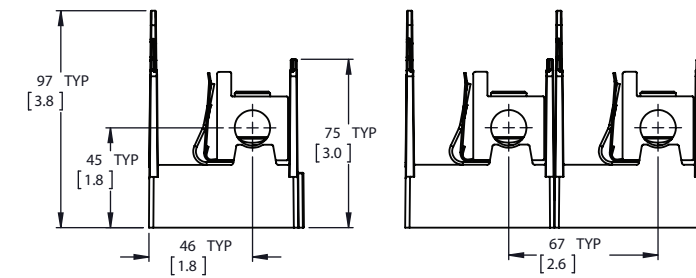
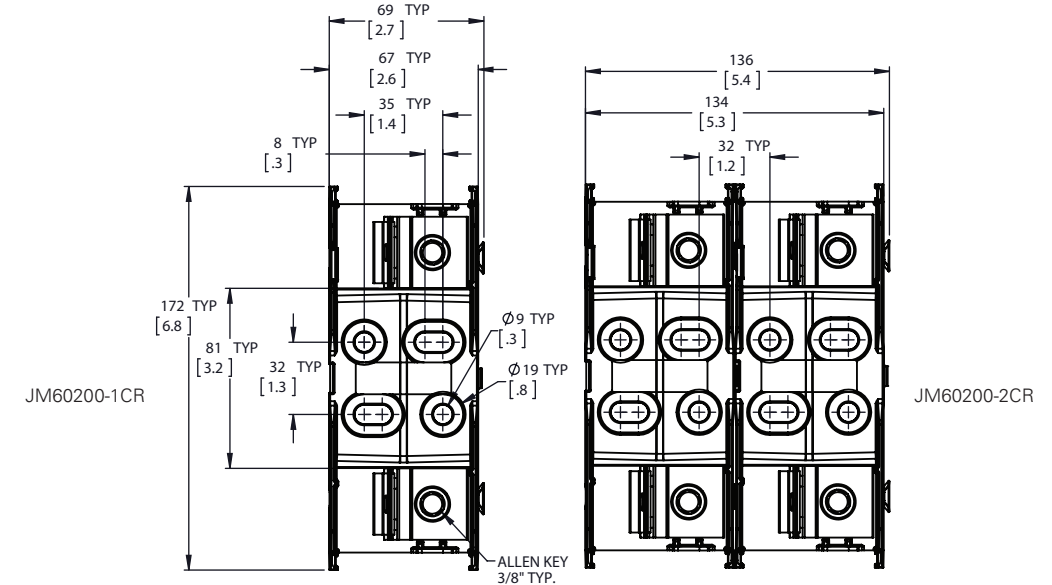
\*No fuse derating necessary.

Dimensions; 100A Class J block - in (mm)



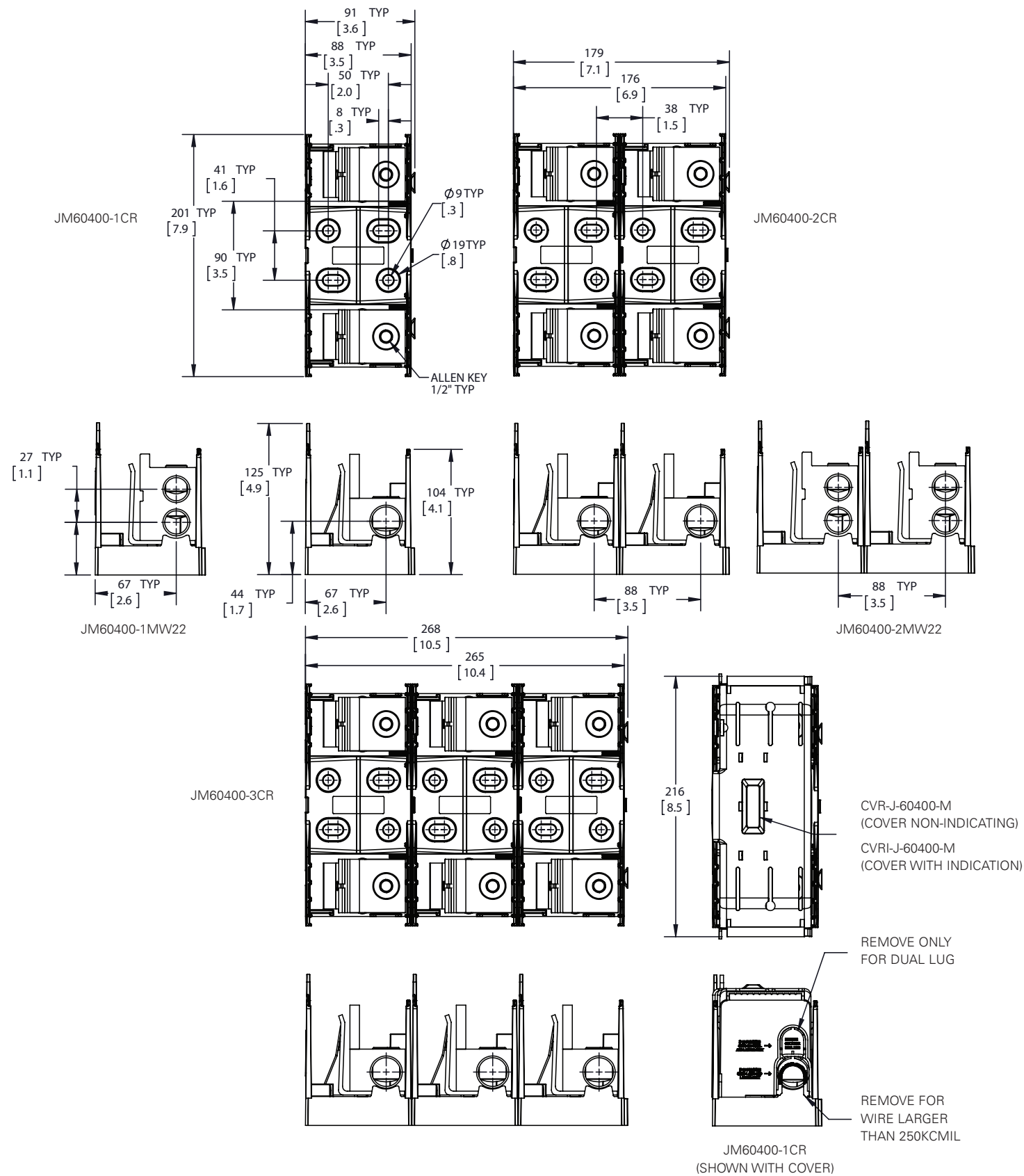
JM60100-1CR (SHOWN WITH COVER)

Dimensions; 200A Class J block - in (mm)

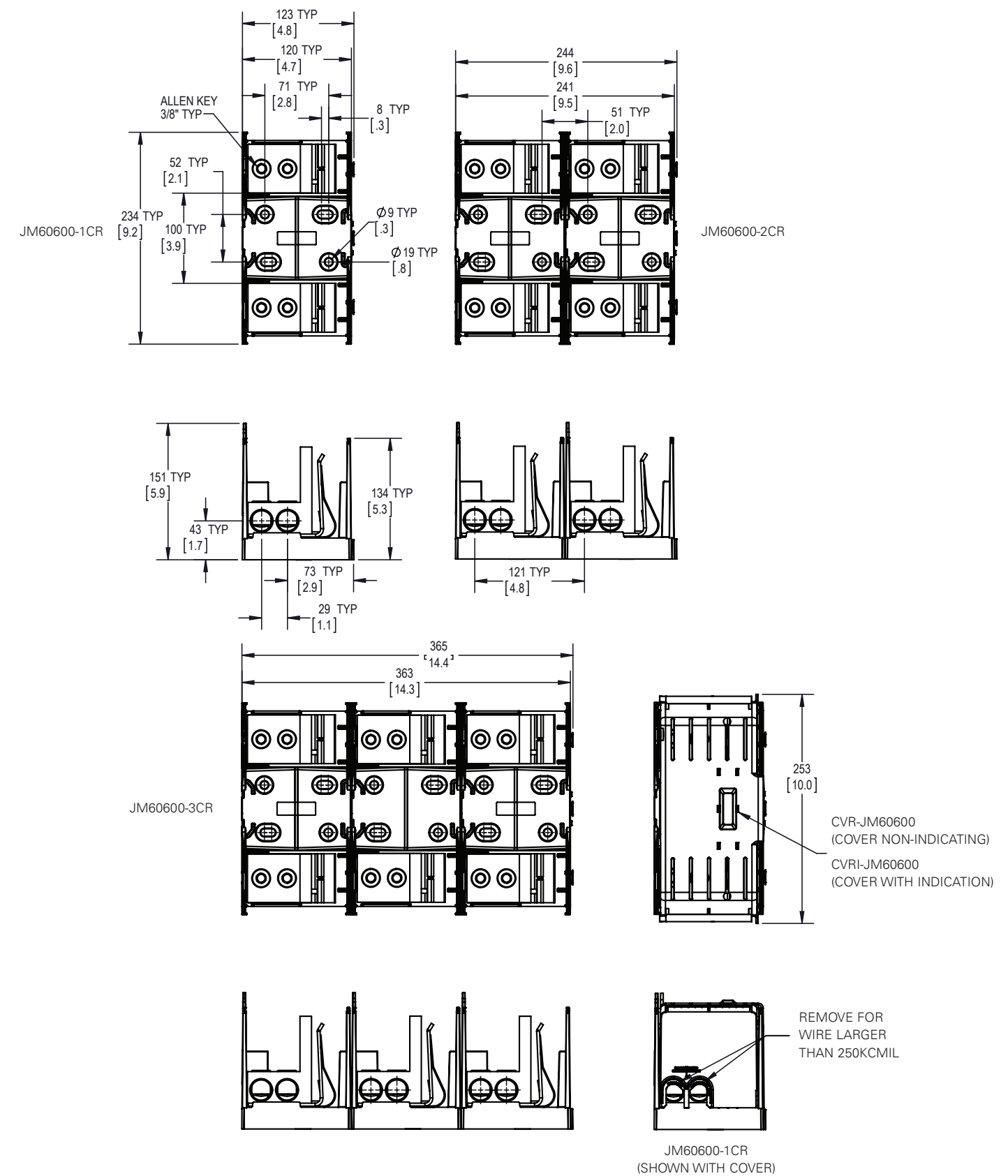


JM60200-1CR (SHOWN WITH COVER)

Dimensions; 400A Class J block - in (mm)



Dimensions; 600A Class J block - in (mm)



The only controlled copy of this data sheet is the electronic read-only version located on the Eaton network drive. All other copies of this document are by definition uncontrolled. This bulletin is intended to clearly present comprehensive product data and provide technical information that will help the end user with design applications. Eaton reserves the right, without notice, to change design or construction of any products and to discontinue or limit distribution of any products. Eaton also reserves the right to change or update, without notice, any technical information contained in this bulletin. Once a product has been selected, it should be tested by the user in all possible applications.

**Eaton**  
1000 Eaton Boulevard  
Cleveland, OH 44122  
Eaton.com

Bussmann Division  
114 Old State Road  
Ellisville, MO 63021  
United States  
Eaton.com/bussmannseries

© 2019 Eaton  
All Rights Reserved  
Printed in USA  
Publication No. 10488  
October 2019



Eaton and Bussmann are valuable trademarks of Eaton in the U.S. and other countries. You are not permitted to use the Eaton trademarks without prior written consent of Eaton.

For Eaton's Bussmann series product information, call **1-855-287-7626** or visit: **Eaton.com/bussmannseries**

Follow us on social media to get the latest product and support information.

